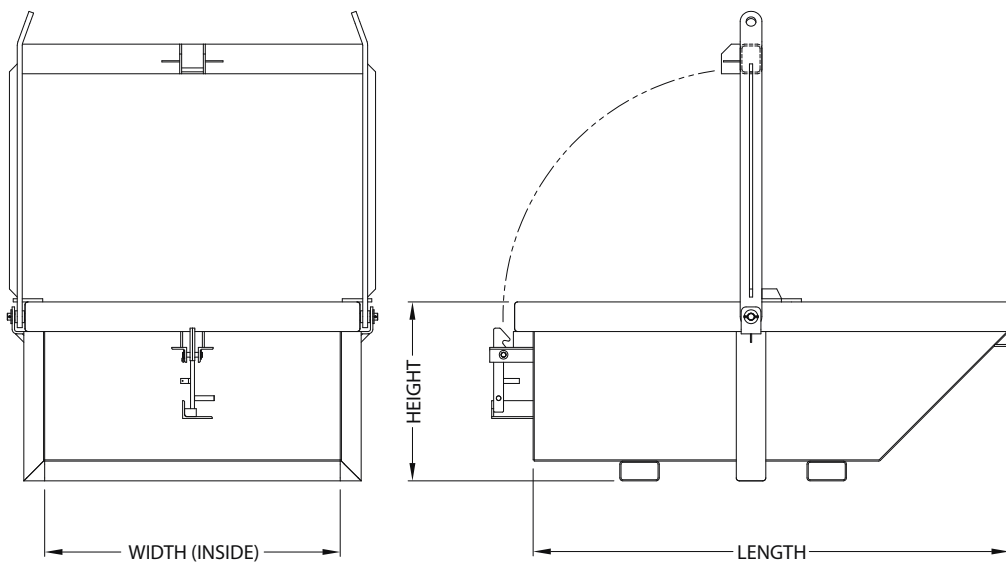


### Type BWB Bulk Waste Bin

The BWB Bulk Waste Bin is ideal for building and mining sites using overhead cranes. This bin is available in three different sizes up to a maximum capacity of 14 tonne SWL. Enamel paint finish.



Type	Capacity (cu. m)	SWL (kg)	Width (mm)	Length (mm)	Height (mm)	Unit Weight (kg)
BWB 15	1.5	3000	1500	1800	830	560
BWB 30	3.0	5000	1500	2400	905	825
BWB 50	5.0	14,000	2400	3000	960	2560