

Type ROB Rollover Bin

The ROB bin has a smooth tipping action with minimal impact when emptying. The cut away front lip makes this style of bin ideal for tipping liquid product. To tip, the operator simply pulls the handle via a draw rope without leaving their seat. Available in either painted or galvanised finish.

- Fork Pocket size: 165 mm x 65 mm
- Fork Pocket Centres: 625 mm
- Safe Working Load: 1000 kg

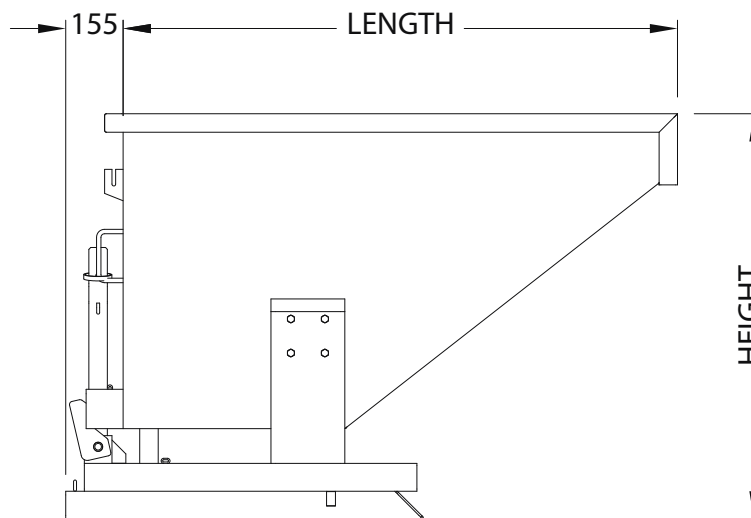
Options Available:

- Crane Lugs
- Cast Iron or Rubber Wheels
- Drain Valve & Strainer



ROB 9

Type	Capacity (cu. m)	Width (mm)	Length (mm)	Height (mm)	Unit Weight (kg)
ROB 9	0.90	1050	1500	1095	210
ROB 12	1.15	1350	1500	1095	225
ROB 15	1.40	1650	1500	1095	255
ROB 18	1.70	1950	1500	1095	280



ROB 9 + Wheels

