

Waste & Storage Bins

Forklift Tipping Bins

Type JTU Tipping Bin

A larger bin for bulk capacity, the JTU bin is manufactured from 3mm plate and fitted with strengthening ribs. The release mechanism is activated by the forklift operator pulling the draw rope from the driver's seat. Powerful shock absorbers prevent impact forces being transmitted to the forklift during emptying. Available in either painted or galvanised finish.



JTU 24 + Crane Lugs

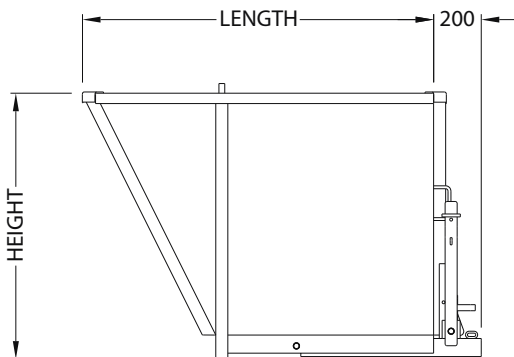


JTU 18 + Plastic Lids

- Fork Pocket size: 165 mm x 65 mm
- Fork Pocket Centres: 735 mm
- Safe Working Load: 1000 kg

Options Available:

- Crane Lugs
- Cast Iron or Rubber Wheels
- Drain Valve & Strainer
- Plastic Lids for JTU 18 only



Type	Capacity (cu. m)	Width (mm)	Length (mm)	Height (mm)	Unit Weight (kg)
JTU 18	2.25	1900	1460	1100	270
JTU 24	3.0	2500	1460	1100	310

