

## Type TU Tipping Bin

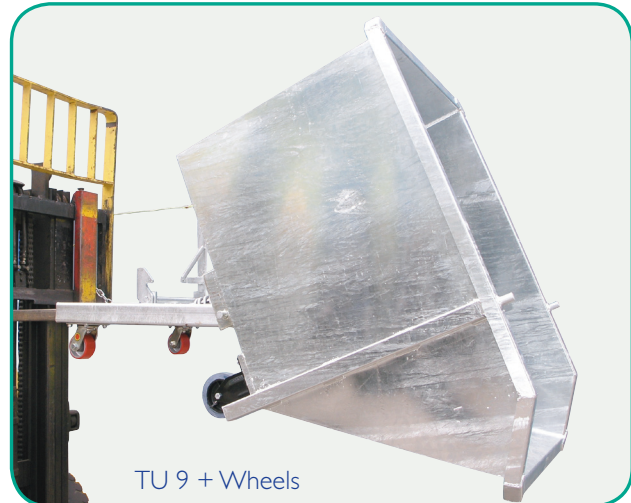
The TU bin is manufactured from 3mm plate and has a lower profile which allows more versatility in confined areas. The pouring lip and smooth formed edges make this bin ideal for food industry applications.

The release mechanism is activated by the forklift operator pulling the draw rope from the driver's seat. The custom built shock absorber prevents impact forces being transmitted to the forklift during emptying. Available in either painted or galvanised finish.

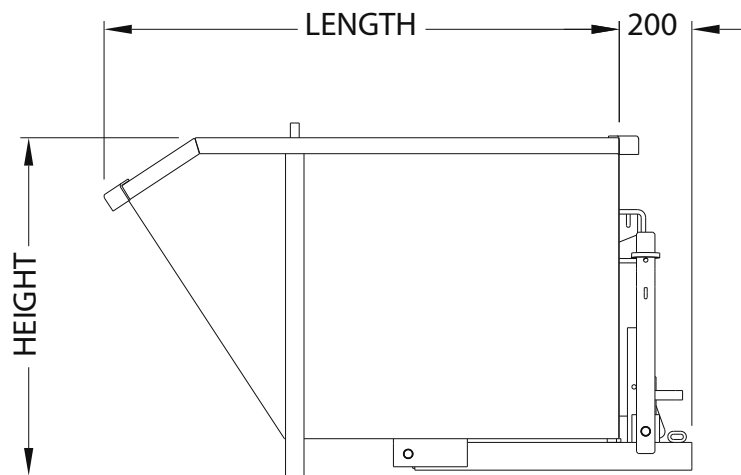
- Fork Pocket size: 165 mm x 65 mm
- Fork Pocket Centres: 635 mm (TU6 – 405 mm)
- Safe Working Load: 1000 kg

### Options Available:

- Crane Lugs
- Cast Iron or Rubber Wheels
- Drain Valve & Strainer



TU 9 + Wheels



Type	Capacity (cu. m)	Width (mm)	Length (mm)	Height (mm)	Unit Weight (kg)
TU 6	0.5	700	1400	915	185
TU 9	0.75	1000	1400	915	200
TU 12	1.0	1300	1400	915	215
TU 15	1.25	1600	1400	915	240
TU 18	1.5	1900	1400	915	260



TU 12 + Wheels



TU 12 + Crane Lugs