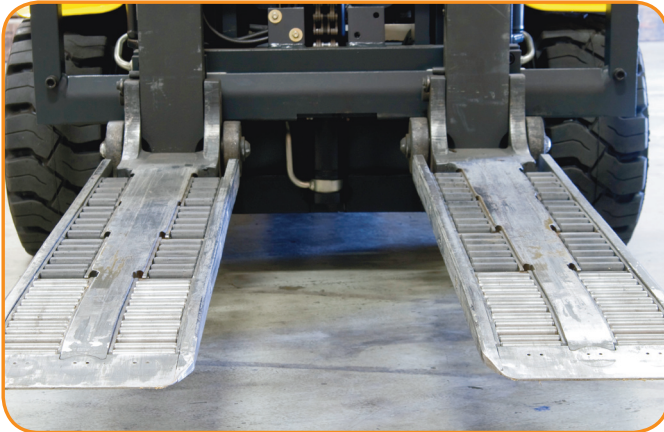


**Type RFC Roller Forks**

Perfect for container loading, Roller Forks allow for products such as bulk bags, cartons, and other bagged products to be transported and loaded using slip sheets where required, there by eliminating the use of pallets. Able to be fitted easily to most forklifts, with no additional hydraulics required. Simply replace the existing fork tines on the truck with the Roller Forks. Fitted with an ingenious roller design, these forks simply roll under the slip sheet. Once the goods are lifted, the rollers are retraced, ensuring the load is securely positioned.



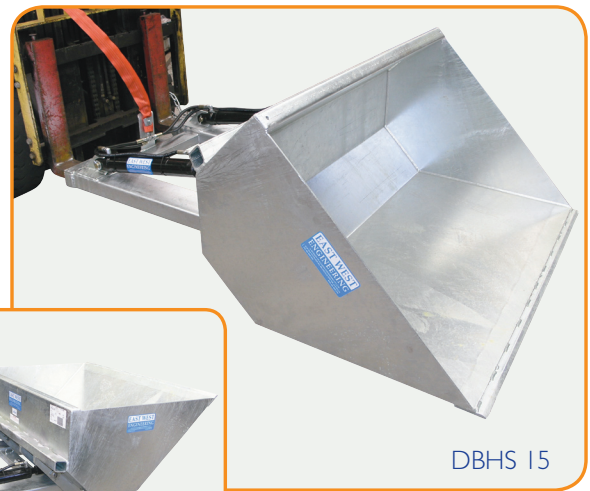
- Safe Working Load: 2000 kg
- Tine Length: 1200 mm
- Tine Dimensions: 210 mm x 48 mm
- Weight Per Pair: 155 kg

**Type DBHS Dirt Bucket**

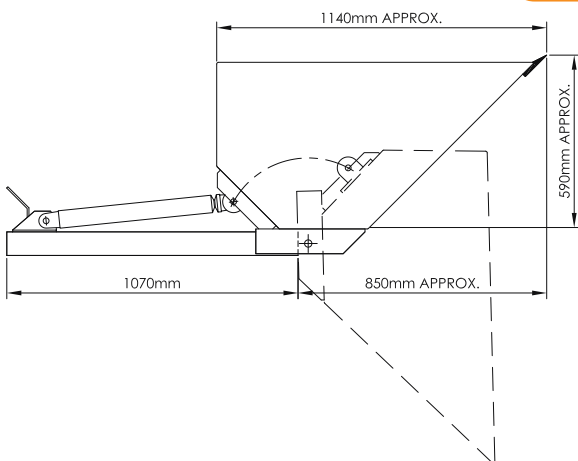
The DBHS Hydraulic Dirt Bucket is a slip-on attachment allowing quick connection to the forklift with the use of "Quick Connect" hydraulic couplings.

The hydraulic operation allows for full backwards tilt making the bucket suitable for liquid products. This bucket is manufactured with a hardened steel wear edge. Available in either galvanised or enamel paint finish.

- Fork Pocket Size: 165 mm x 65 mm
- Fork Pocket Centres: 750 mm
- Safe Working Load: 1000 kg



DBHS 15



Type	Capacity (cu. m)	Bucket Width (mm)	Unit Weight (kg)
DBHS 12	0.50	1200	315
DBHS 15	0.75	1500	355
DBHS 18	0.90	1800	395