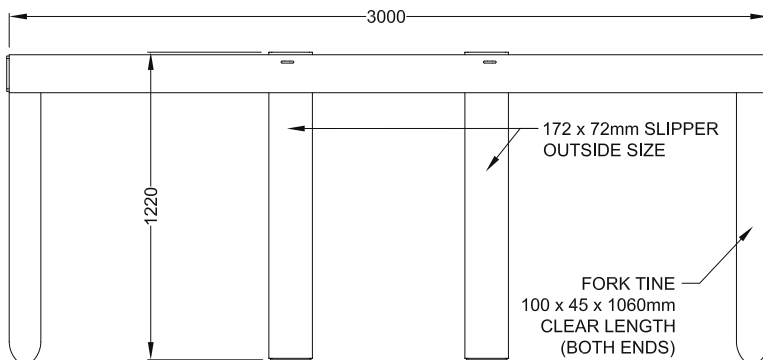
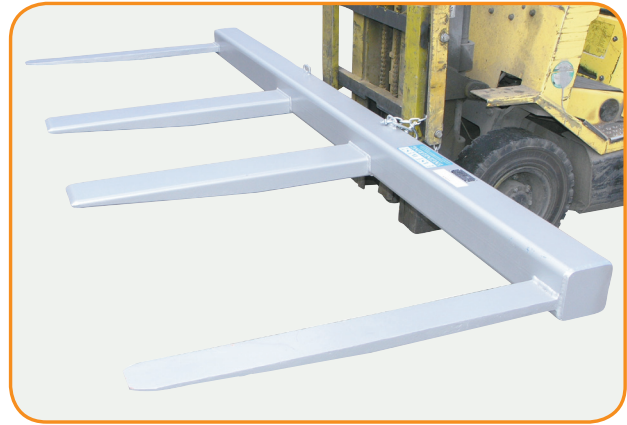


Type FS2.5 Fork Spreader

The FS2.5 Fork Spreader is designed to safely lift extra wide or flexible loads without the risk of damage to products such as plasterboard, roof sheeting and timber.

The fork spreader evenly distributes the load over its full length. This slip-on attachment is easily fitted onto the fork lift and is secured by a safety chain. Enamel paint finish.



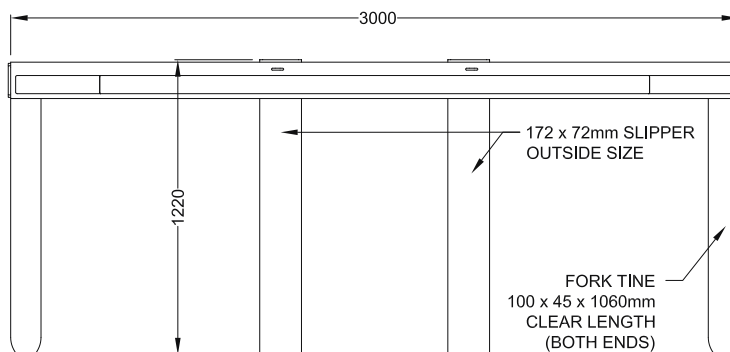
- Safe Working Load: 2500 kg
- Load Centre: 600 mm
- Unit Weight: 225 kg
- Fork Pocket size: 160 mm x 60 mm
- Fork Pocket Centres: 775 mm

CUSTOM SIZE AND CAPACITY AVAILABLE ON REQUEST

Type FS3 / LG Fork Spreader

The FS3/LG is manufactured with a load guard, giving additional protection and capacity. This unit is more suited to where higher loads of loose product are being handled. Enamel paint finish.

- Safe Working Load: 3000 kg
- Load Centre: 600 mm
- Unit Weight: 260 kg
- Load Guard Height: 600 mm
- Fork Pocket size: 160 mm x 60 mm
- Fork Pocket Centres: 775 mm



CUSTOM SIZE AND CAPACITY AVAILABLE ON REQUEST