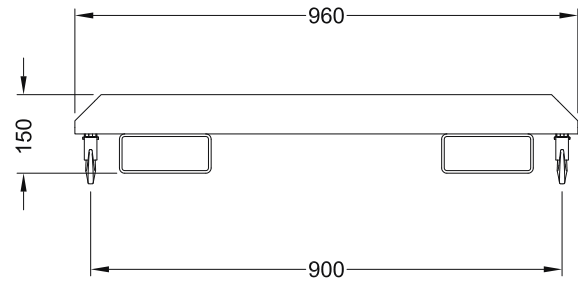
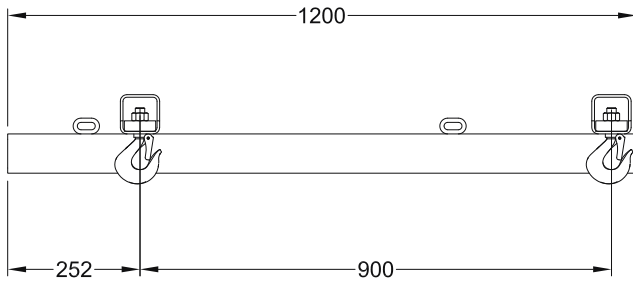


Type BJFL-I Bulk Bag Jib

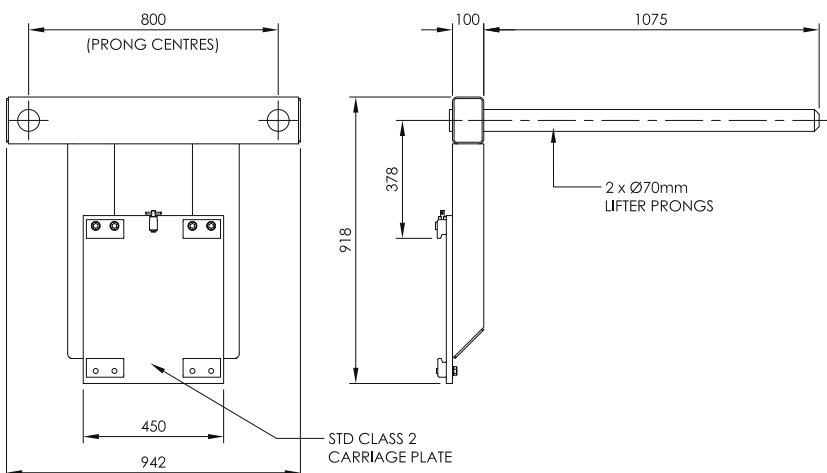
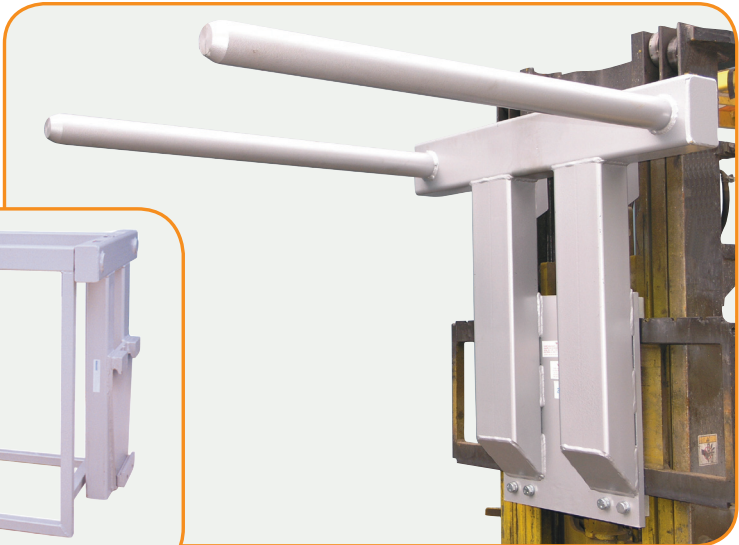
Slip on jib attachment which is suitable for handling bulk bags. The jib is fitted with safety swivel hooks, providing complete security when transporting bags. Enamel paint finish.

- Safe Working Load: 2000 kg
- Load Centre: 700 mm
- Hook Centres: 900 mm
- Fork Pocket Size: 165 mm x 65 mm
- Fork Pocket Centres: 640 mm



Type BBP 2000 Bulk Bag Jib

A two prong bag lifter ideal for container loading. The operator is not required to leave the drivers seat to release the bag. Optional stand available. Enamel paint finish.



- Safe Working Load: 2000 kg
- Load Centre: 725 mm
- Prong Centres: 800 mm
- Height above Carriage: 380 mm
- Unit Weight: 200 kg
- Mounting Class: Class 2