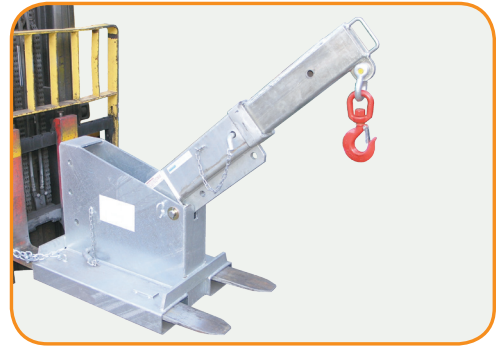


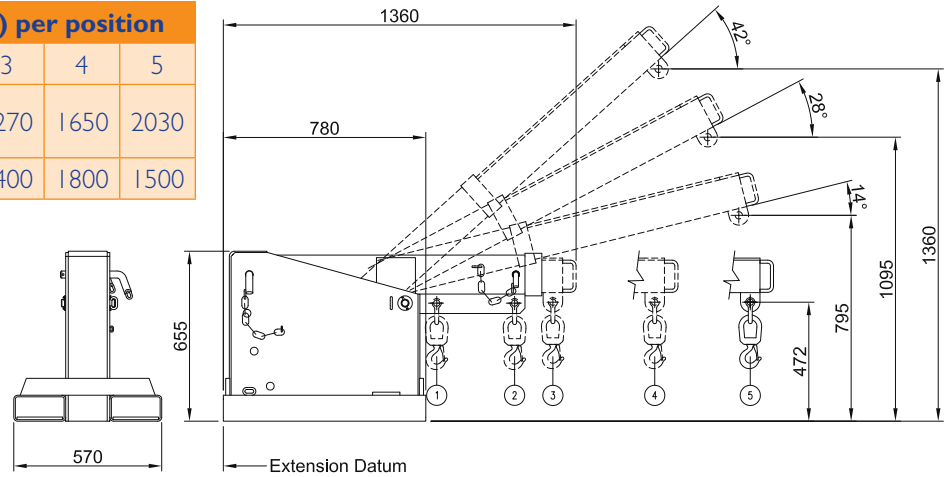
### Type TJS5 Tilting Jib Short - 5 Tonne

The TJS5 Tilting Jib can be set at 3 angled positions as well as level. Jib also offers 5 different hook positions, with a 2 metre maximum reach. Galvanised finish.

- Safe Working Load: 4750 kg Max
- Fork Pocket Size: 185 mm x 75 mm
- Fork Pocket Centres: 370 mm
- Unit Weight: 180 kg



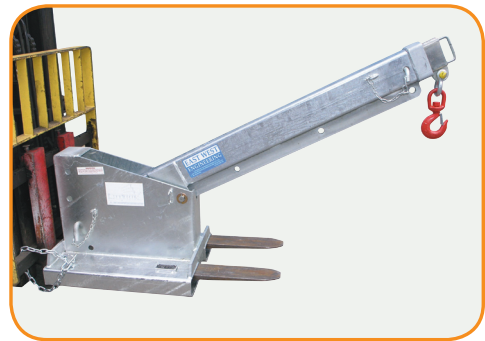
Safe Working Load (SWL) per position					
POSITION	1	2	3	4	5
EXTENSION (mm)	820	1120	1270	1650	2030
SWL (kg)	4750	3600	2400	1800	1500



### Type TJL5 Tilting Jib Long - 5 Tonne

With a maximum reach of 3.6 metres and an additional height of 2.4 metres when fully extended, the TJL5 is extremely versatile. 8 hook positions available, as well as 3 different angle positions. Galvanised finish.

- Safe Working Load: 4750 kg Max
- Fork Pocket Size: 185 mm x 75 mm
- Fork Pocket Centres: 370 mm
- Unit Weight: 240 kg



Safe Working Load (SWL) per position								
POSITION	1	2	3	4	5	6	7	8
EXTENSION (mm)	1000	1460	1920	2070	2450	2830	3210	3590
SWL (kg)	4750	4275	3800	3300	2500	1300	760	480

