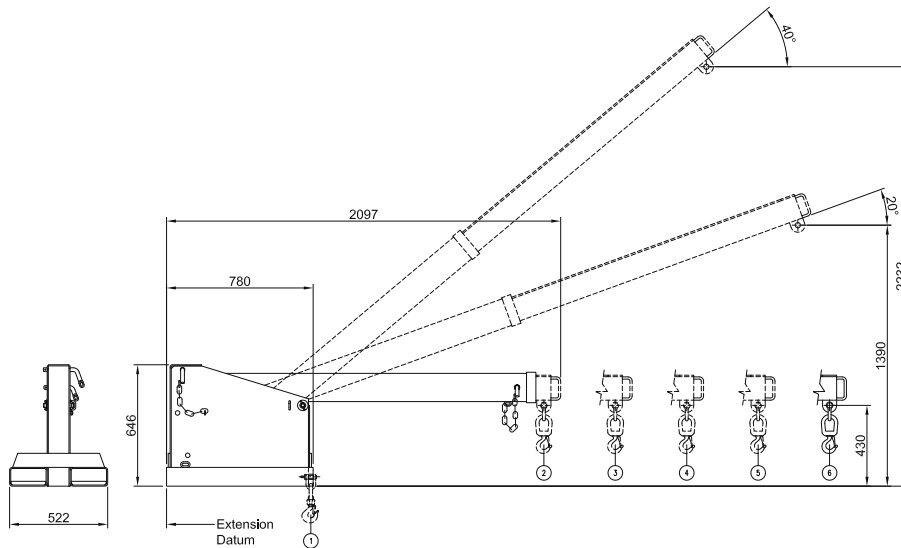


Type TJCL45 Tilting Jib Long - 4.5 Tonne

The TJCL45 Tilt Jib is one of the most versatile forklift jib attachments in our range, allowing extra height to 2.23 metres, with a 3.53 metre reach when fully extended. This slip-on attachment is held to the forklift by a safety chain. The overall jib length when closed is 2.1 metres. Galvanised finish.

- Safe Working Load: 4500 kg Max
- Fork Pocket Size: 185 mm x 65 mm
- Pocket Centres: 322 mm
- Unit Weight: 190 kg



Safe Working Load (SWL) per position

POSITION	1	2	3	4	5	6
EXTENSION (mm)	770	2010	2390	2770	3150	3530
SWL (kg)	4500	1100	630	470	300	150

