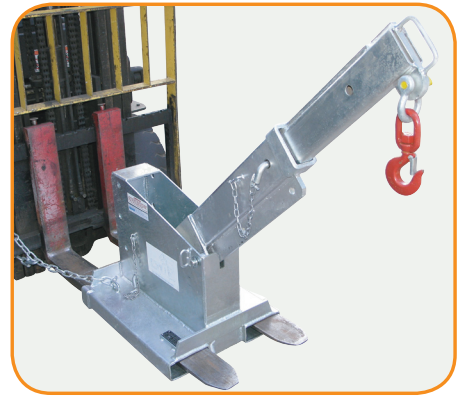


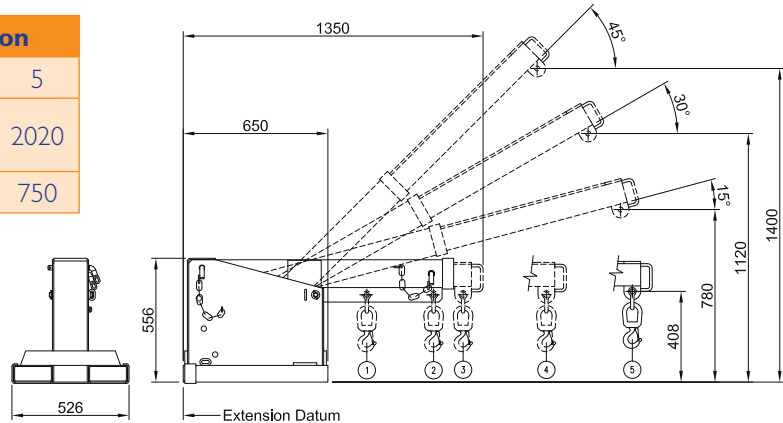
Type TJS2.5 Tilt Jib Short - 2.5 Tonne

The TJS2.5 Tilting Jib allows for additional height, compensating for length of the hook and slings when lifting. The jib boom can be set at 3 angled positions as well as level. Jib also offers 5 different hook positions, with a 2 metre maximum reach. Galvanised finish.

- Safe Working Load: 2500 kg Max
- Fork Pocket Size: 165 mm x 65 mm
- Fork Pocket Centres: 337 mm
- Unit Weight: 130 kg



Safe Working Load (SWL) per position					
POSITION	1	2	3	4	5
EXTENSION (mm)	825	1125	1260	1640	2020
SWL (kg)	2500	1800	1200	900	750



Type TJL2.5 Tilt Jib Long - 2.5 Tonne

With a maximum reach of 3.58 metres and an additional height of 2.4 metres when fully extended, the TJL2.5 is extremely versatile. 8 hook positions available, as well as 3 different angle positions. Galvanised finish.

- Safe Working Load: 2500 kg Max
- Fork Pocket Size: 165 mm x 65 mm
- Fork Pocket Centres: 337 mm
- Unit Weight: 180 kg



Safe Working Load (SWL) per position								
POSITION	1	2	3	4	5	6	7	8
EXTENSION (mm)	1005	1465	1925	2060	2440	2820	3200	3580
SWL (kg)	2500	2500	1900	1650	1250	650	380	240

