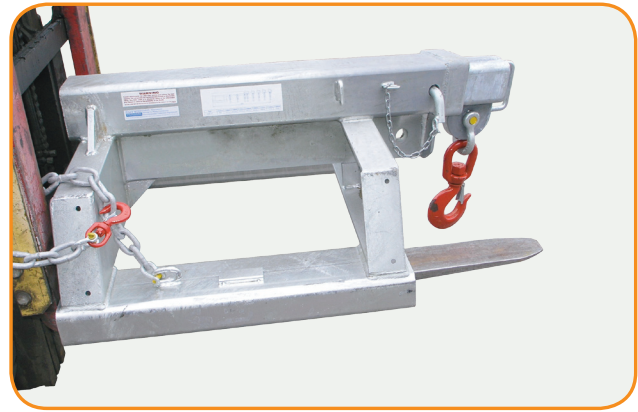


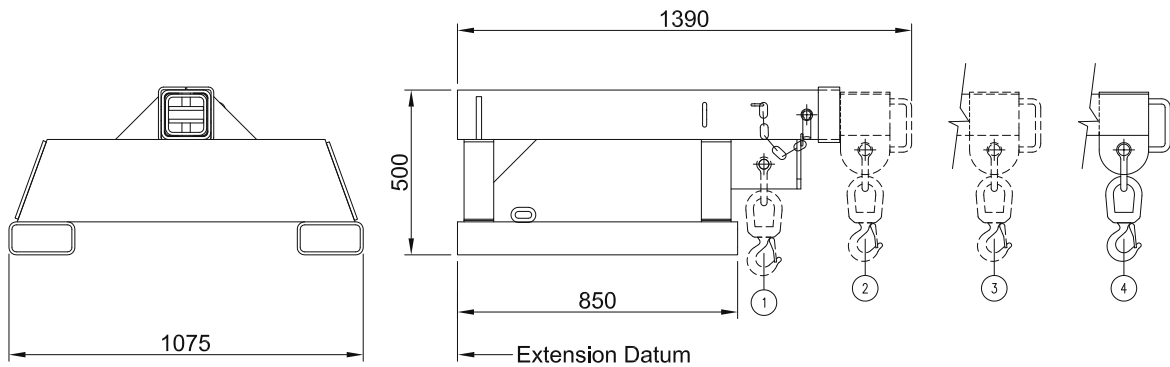
### SFJS7.5 Fixed Jib Short - 7.5 Tonne

A general purpose jib suitable for larger forklifts, the SFJS7.5 is fitted with wide pocket centres, also suited for forklifts fitted with special hydraulic tine positioners. Overall jib length when retracted is 1.39 metres. Galvanised finish.

- Safe Working Load: 7500 kg Max.
- Fork Pocket Size: 180 mm x 80 mm
- Fork Pocket Centres: 875 mm
- Unit Weight: 320 kg



Safe Working Load (SWL) per position				
POSITION	1	2	3	4
EXTENSION (mm)	930	1245	1625	2005
SWL (kg)	7500	3600	2700	2250



### SFJL7.5 Fixed Jib Long - 7.5 Tonne

The SFJL7.5 Fixed Jib has a 3.56 metre reach when fully extended. The overall jib length when closed is 2.19 metres. This jib is also fitted with wide fork pocket centres. Galvanised finish.

- Safe Working Load: 7500 kg Max.
- Fork Pocket Size: 180 mm x 80 mm
- Fork Pocket Centres: 875 mm
- Unit Weight: 450 kg

Safe Working Load (SWL) per position								
POSITION	1	2	3	4	5	6	7	8
EXTENSION (mm)	930	1385	1835	2045	2425	2805	3185	3565
SWL (kg)	7500	6410	5700	4950	3750	1950	1140	720

