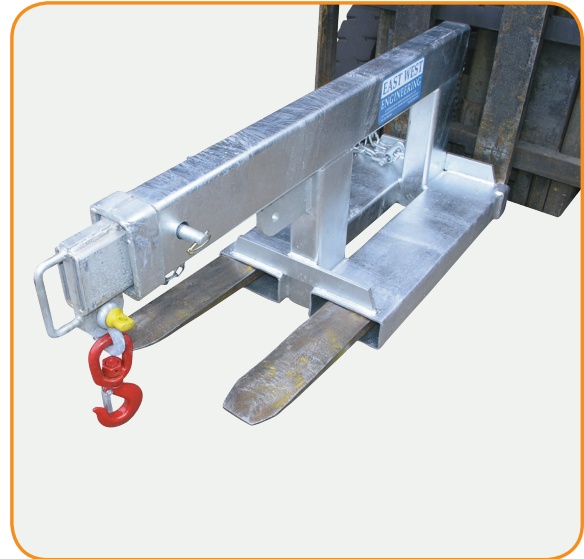


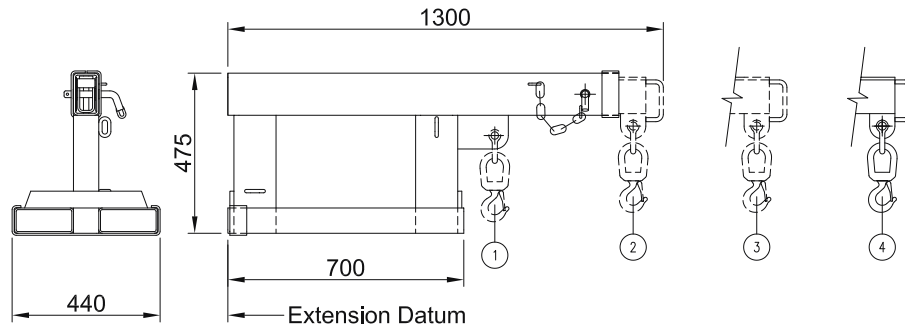
Type FJS2.5 Fixed Jib Short - 2.5 Tonne

The FJS2.5 Fixed Jib allows for additional lifting height with the extension beam being raised above the fork pockets. The overall length when retracted is 1.3 metres, and when extended is 2 metres. Galvanised finish.

- Safe Working Load: 2500 kg Max
- Fork Pocket Size: 165 mm x 65 mm
- Fork Pocket Centres: 250 mm
- Unit Weight: 100 kg



Safe Working Load (SWL) per position				
POSITION	1	2	3	4
EXTENSION (mm)	790	1200	1580	1960
SWL (kg)	2500	1200	900	750



Type FJL2.5 Fixed Jib Long - 2.5 Tonne

The FJL2.5 has a 3.5 metre extension which allows for long reach lifts. The overall jib length when retracted is 2.1 metres. Galvanised finish.

- Safe Working Load: 2500 kg Max
- Fork Pocket Size: 165 mm x 65 mm
- Fork Pocket Centres: 250 mm
- Unit Weight: 130 kg

Safe Working Load (SWL) per position									
POSITION	1	2	3	4	5	6	7	8	
EXTENSION (mm)	950	1410	1870	2000	2380	2760	3140	3520	
SWL (kg)	2500	2500	1900	1650	1250	650	380	240	

